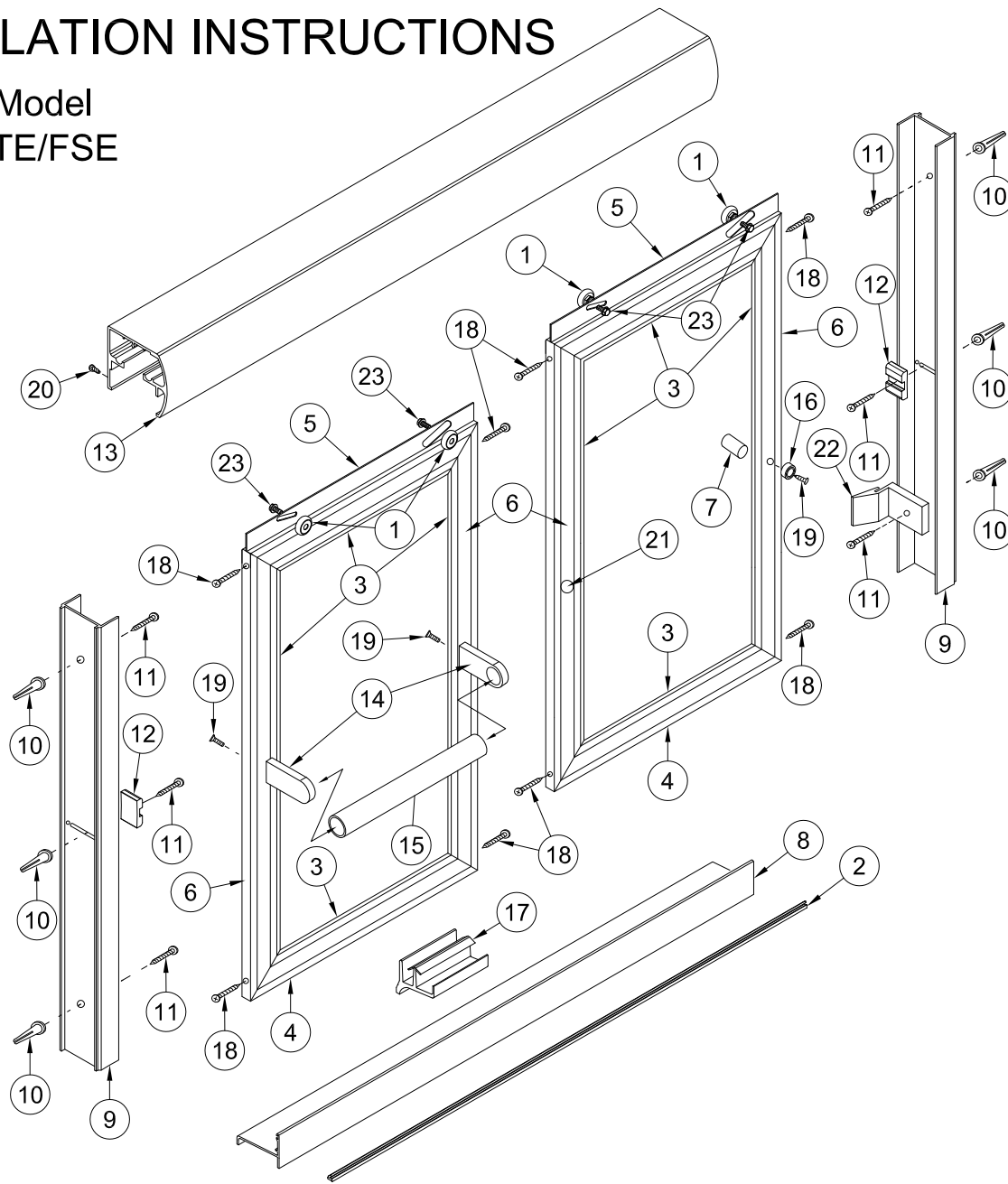


INSTALLATION INSTRUCTIONS

Model
FTE/FSE



When ordering replacement parts, please provide the following information:

1. Part Number
2. Part Name
3. Model Number
4. Specify design (if any)

To install your Shower Enclosure you will need the following:

- Level
- 1/8" and 9/64" Drill Bits
- (Tile) 3/16" Masonry Bit
- Phillips Screwdriver
- Sealant
- Hack Saw

#	Description	Qty	Part #	Picture
1	Roller Wheel	4	ZA-99	
2	Curb Vinyl	1	ZV-960	
3	Glazing Vinyl		ZV-983	
4	Bottom Rail	2	ZTE-5201	
5	Top Rail	2	ZTE-4208	
6	Side Rail	4	ZTE-4201	
7	Framed Knob	1	ZTE-7204	
8	Curb	1	ZTE-2222	
9	Wall Jamb	2	ZTE-2203	
10	Screw Anchor	6	ZV-935	
11	#8X1 1/4 Pan Head Screw	6		
12	Jamb Bumper	2	ZV-927	
13	Header	1	ZTE-6221	
14	Towel Bar Bracket	2	ZTE-7206	
15	Towel Bar	1	ZTE-7205	
16	Button Knob	2	ZFTBKCLR	
17	Center Guide	1	ZV-970	
18	#6X1 1/4" PH SMS	8		
19	#6/32X1" PH Truss Head	3		
20	#6X3/8" Pan Head Screw	2		
21	Plug for Framed Side Rail Hole	2	ZVHPBLK	
22	Bottom Bumper	1	ZV-926	
23	#8/32x3/8 CH	4		

Arizona Corporate Office
2801 W. Indian School Rd
Phoenix, AZ 85017
800-255-1901 PH
602-447-8208 FAX

Nevada
3835 N. Pecos Rd Bldg 6
North Las Vegas, NV 89115
866-800-2011 PH
702-252-3419 FAX

Illinois
2601 Bond St #1
University Park, IL 60484
800-861-6120 PH
708-235-0729 FAX

Colorado
5401 Oswego St #A
Denver, CO 80239
866-574-1766 PH
303-574-1775 FAX

Oregon
2057 Lars Way
Medford, OR 97501
866-773-7905 PH
541-773-7909 FAX

Utah
729 West 1700 South
Salt Lake City, UT 84101
877-402-5007 PH
801-972-3111 FAX

ARIZONA SHOWER DOOR

INSTALLATION INSTRUCTIONS

Tools you will need for this install

- ✓ Exploded View drawing of shower door
- ✓ 3/16" Masonry drill bit (use 9/64" drill bit for fiberglass)
- ✓ 1/8" drill bit
- ✓ Drill
- ✓ 4' Level
- ✓ Saw (Electric chop saw with a blade for cutting aluminum extrusion or Hacksaw)
- ✓ #2 Phillips drill bit
- ✓ #2 Phillips screwdriver
- ✓ Tape Measure
- ✓ Pencil or Pen
- ✓ Caulking Gun
- ✓ 1-Tube of 100% Clear Silicone (no latex!)
- ✓ Vacuum Cleaner or Brush for clean up
- ✓ Glass Cleaner and Paper Towels
- ✓ Rubber Mallet
- ✓ File

INSTALLATION INSTRUCTIONS
FOR

MODEL FTE & FSE

Note: These instructions will refer to the item #'s in the Exploded View drawing. For example, #1, #2, #3 etc...
Please read through **all** of the instructions to get an over-view **before** you install the door.

1) Find the centerline of where the unit will be installed. This will usually be the center of the ledge of the bath tub or the curb of the shower pan. Place a centerline mark at each end of the tub ledge or curb where it meets the wall. This mark will also represent the center of the ZTE2203 wall jamb (item #9 in exploded view). Place the wall jamb against the wall and on top of the ledge or curb aligning centerline marks. If your shower is fiberglass you might have to file the backside corner of the ZTE2203 to a radius so the jamb sits as flush as possible on the ledge or curb. Use a level to position the jamb plumb, then mark the installation holes with a pen or pencil. Repeat this procedure for the other jamb. Now drill the 6 holes with a 3/16" masonry bit (9/64" for fiberglass, & without anchors). Then insert the 6-ZV935 screw anchors (#10) in the holes. Fasten the ZTE2203 wall jambs in place using the #8X1-1/4 Phillips Pan Head screws provided (#11). Install the two ZV927 bumpers (#12) with the center screws of the wall jambs. **Important Note:** The ZV926 Bottom Bumper (#4A) needs to be installed with the bottom screw on the jamb, on the showerhead side of the unit, with the angled side of the bumper going to the inside of the shower. Refer

to the exploded view. Refer to the exploded view drawing.

2) Measure the distance between the inside of the wall jambs (just above the tub ledge or curb). Measure tight and deduct $1/16''$ to $1/8''$ to get the cut size of the ZTE2222 Curb (#8). Cut to size. Apply silicone where wall jambs meet tub or curb. Then run a bead along the underneath of the ZTE2222 Curb. Slide the curb down between the wall jambs and onto the tub/shower. Make sure the curb is solid and doesn't rock back and forth. If it is not solid secure it with two of the $\#6 \times 3/8''$ Pan Head Screws (#20) provided by drilling with a $1/8''$ drill bit through the outside leg of the wall jamb at the bottom, into the face of the curb and inserting the screws.

3) Measure the distance from wall to wall across the top of the jambs. Cut the ZTE6221 Header (#13) to that dimension minus $-1/16''$. Slide the header down over the top of the wall jambs. The header does not need to be secured with screws.

4) Install the panels. The inside panel will be set first. (The inside panel will have the knob). This will be done as you stand on the **outside** of the shower. Grip one of the panels on each side so that the rollers are facing **away** from you. Lift the panel so that the bottom edge clears the top of the ZTE2222 Curb as you lower it into the shower. Continue lowering the panel down

until the top rollers can be guided up into the inside roller track of the header. Lift up panel then slowly lower the rollers into the inside roller track and let the panel hang in its vertical position. The outside panel will be installed the same way. Make sure the rollers are facing **to-ward** you. A helper would be valuable at this point to hold the inside panel on an angle toward the inside so that the outside panel can be lowered and positioned to be installed into the outside roller track. The inside panel will be positioned at the showerhead side of the shower while the outside panel will be positioned opposite the showerhead. This is to ensure that no water escapes through the overlap.

5) Adjust Rollers. The roller wheels are mounted to angled slots in the top rail on the glass. Lowering the roller in the slot raises the glass. Raising the roller in the slot lowers the glass. Start out with the rollers mounted in the middle of the angled slot. If the panel needs to be adjusted you can remove the panel, adjust with a screwdriver then, reset the panel. This might be done one or two times until you achieve proper alignment. The end result should be that the vertical edge of the panel is parallel to your wall jamb to achieve maximum coverage.

6) Attach the ZV970 Center Guide (#17).

Position the guide in the center of the overlap of the glass. When the doors are in a closed position the center guide should be centered in the overlap of the panels. Attach the guide in place by drilling with a 1/8" drill bit through the inside leg into the curb(from the inside of the

shower) then running a #6X3/8 screw into the hole.

7) Attach one ZTE7206 (#14) Towel Bar Bracket using one of the two #6/32x3/8" PH Truss Head Screw (#19). Place the ZTE7205 Towel Bar (#15) into the other ZTE7206 Towel Bar Bracket then slip the other end of the towel bar into the previously mounted bracket. Hold into place while you run the other screw through the frame and into the bracket.

8) Attach the ZTE7204 Framed Knob (#7) by inserting the mounting screw (#19) through frame and into the knob and tighten.

9) Run a bead of silicone on the gap between the metal and the shower surface inside and out. Fill all joints and gaps where metal meets metal and fill with a fine bead.

10) Insert ZVHPBLK into hole on frame rail.