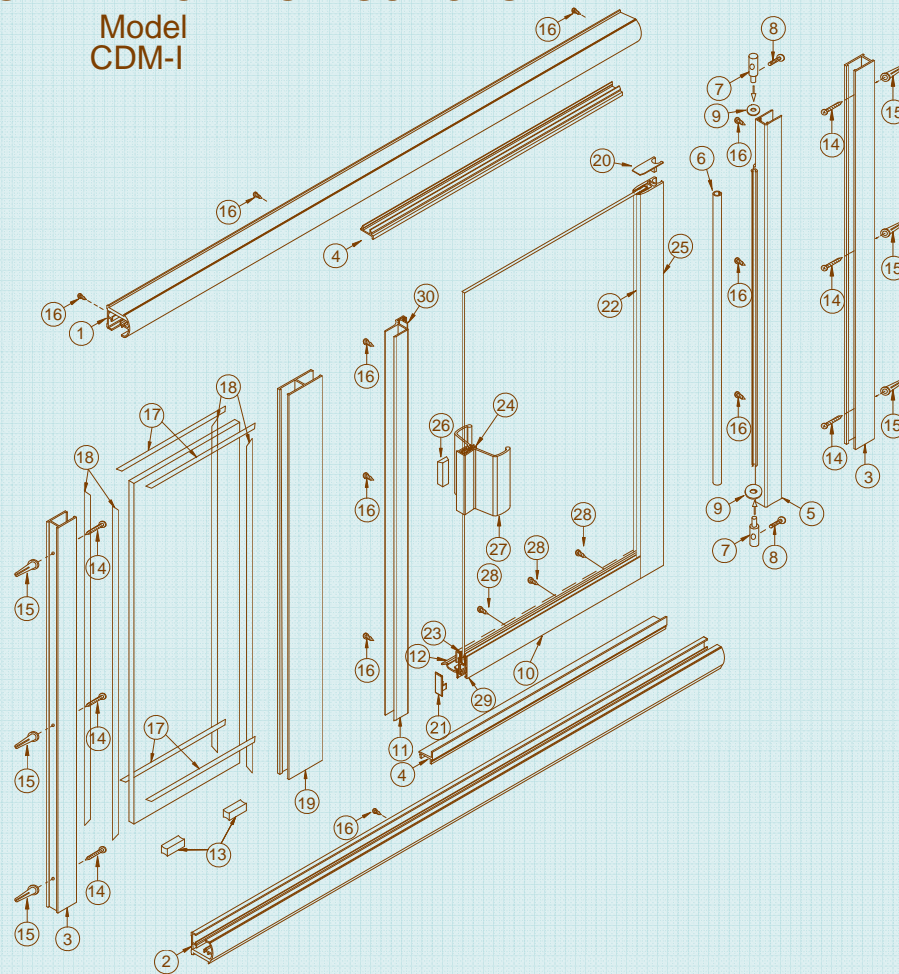


INSTALLATION INSTRUCTIONS

Model
CDM-I



When ordering replacement parts, please provide the following information:

1. Part Number
2. Part Name
3. Model Number
4. Specify design (if any)

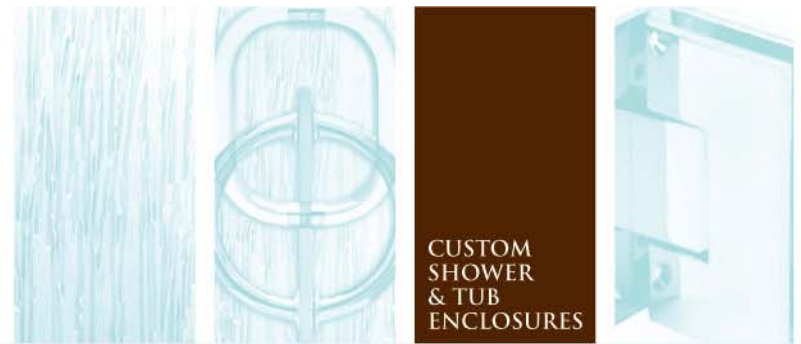
To install your Shower Enclosure you will need the following:

- Level
- 1/8" and 9/64" Drill Bits
- (Tile) 3/16" Masonry Bit
- Phillips Screwdriver
- Sealant
- Hack Saw

#	Description	Qty.	Part #	Picture
1	Header	1	ZSS-2101	
2	Curb	1	ZSS-2101	
3	Wall Jamb	2	ZD-1006	
4	Snap-In Filler	2	ZSS-1102	
5	Hinge Jamb	1	ZD-2505A	
6	Hinge Rail Sleeve	1	ZV-995	
7	Hinge Pins	2	ZV-910	
8	Hinge Pin Screw	2	#6-32x3/8" FH MS	
9	Washer	2	WS-516	
10	Bottom Rail	1	ZD-1002	
11	Latch Jamb	1	ZD-8004	
12	Drip Trough	1	ZD-2008	
13	Glass Setting Blocks	2	ZV-902	
14	Wall Jamb Inst. Screws	6	#8x1 1/2" PH SMS	
15	Wall Anchors	6	ZV-935	
16	Installation Screw	10	#6x3/8" PH SMS	
17	Horizontal Wedge Vinyl		ZV-906	
18	Vertical Wedge Vinyl		ZV-909	
19	180° Post	1	ZSS-1103	
20	Top Cap	1	ZH-948	
21	Door Clip	1	ZV-940	
22	Hinge Rail-3/16" Vinyl		ZV-925 3/16	
	Hinge Rail-1/4" Vinyl		ZV-925 1/4	
23	Bottom Rail-3/16" Vinyl		ZV-903	
	Bottom Rail-1/4" Vinyl		ZV-901	
24	Handle Gasket 3/16"		ZV-917	
	Handle Gasket 1/4"		ZV-916	
25	Hinge Rail	1	ZD-2503A	
26	Magnet	1	MAG4013	
27	Door Handle Assembly	1	ZD-4011A	
28	#6 X 1/4" PH B-Point	3		
29	Drip Vinyl	1	ZV-934	
30	Strike Gasket	1	ZV-907	

ARIZONA | SHOWER DOOR

MODEL CDM-I FRAMELESS HINGE DOOR & PANEL IN LINE



DOOR ASSEMBLY INSTRUCTIONS

1. Apply glazing vinyl to the hinge side of the glass. Place the Hinge Rail (AZD-2503-A) onto the vinyl, flush at the top, leaving the rail extended 3/4" below the bottom of the glass. Pound the rail onto the glass starting in the center and working your way to each end of the rail. Apply glazing vinyl to the bottom edge of the glass. Pound the Bottom Rail (AZD-2002) onto the glass.

2. Slide the Hinge Jamb (AZD-2505-A), with vinyl sleeve attached, onto the Hinge Rail (AZD-2503-A). Slide the nylon Hinge Pins (ZV910), with washer (W6516) attached, into each end of the Hinge Rail, inserting the tip of the Hinge Pin into the Hinge Jamb. Attach the Hinge Pins to the Hinge Rail using #6-32 X 3/8" Flat Head MS.

INSTALLATION INSTRUCTIONS

NOTE: #8 Sheet Metal Screws are used to install Wall Jamb. For tile use a 3/16" masonry bit and screw anchors, for fiberglass use a 9/64" drill bit.

1. Measure the distance between the walls at the top of the Shower Threshold. Cut the Curb (AZSS-2101) to this dimension. Apply caulking to the bottom side of the Curb. Place the Curb onto the Shower Threshold.

2. Place the Wall Jamb (AZD-1006) against the walls and into the Curb. Plumb, mark and drill installation holes. Apply silicone into the corner where the Curb meets the Wall. Attach to wall using # 8 X 1 1/4" Phil Pan Head Screws.

3. Place two Setting Blocks (ZV902) into the Curb. Insert the Glass into the Curb and Wall Jamb. Temporarily secure on the outside and inside with a 2" strip of Thin Wedge Vinyl.

4. Insert the 180 Post (AZSS-1103) into the Curb and onto the Glass. Temporarily secure at the top outside and inside with a 2" strip of Thin Wedge Vinyl.

5. Measure the distance between the walls at the top of the Jamb. Cut the Header (AZSS-2101) to this dimension. Place the Header over the Wall Jamb and 180 Post. Attach the Header to the Wall Jamb from the inside using a 1/8" drill bit and securing with #6 X 3/8" Phil Pan Head Screws. DO NOT ATTACH TO THE 180 POST AT THIS TIME.

6. Adjust the distance between the edge of the 180 Post and the edge of the Wall Channel, on the door side, to be 1" wider than the door width (from the edge of glass to the edge of the hinge rail). Attach the 180 Post to the Curb and Header from the inside using a 1/8" drill bit and securing with a #6 X 3/8" Phil Pan Head Screw.

7. Measure the distance between the 180 Post and Wall Jamb, cut the Header and Curb Filler (AZSS-1102) to that length. Install the fillers with the 1/8" raised lip to the outside.

8. Slide the Adjustable Magnetic Latch Jamb (AZD-8004), with magnet and gasket attached, over the 180 Post when Striking at the Panel or over the Wall Jamb when Striking at the Wall. DO NOT ATTACH THE LATCH JAMB AT THIS TIME.

9. Install the door by sliding the Hinge Jamb (AZD-2505-A) with door attached over the 180 Post when Hinged at the Panel or over the Wall Jamb when Hinged at the Wall. Adjust the door so that there is an even gap between the top of the door and the bottom of the header. Align the Latch Jamb with the door leaving a 1/8" gap. Attach the Hinge Jamb and Latch Jamb to the Wall Jamb or 180 Post from the inside using a 1/8" drill bit and securing with #6 X 3/8" Phil Pan Head Screws.

ARIZONA
800-255-1901

COLORADO
866-574-1766

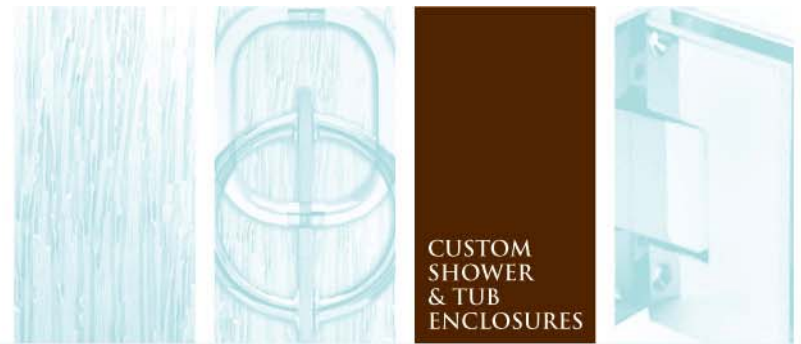
ILLINOIS
800-861-6120

NEVADA
866-800-2011

OREGON
866-773-7905

ARIZONA | SHOWER DOOR

MODEL CDM-I FRAMELESS HINGE DOOR & PANEL IN LINE



10. Push the Horizontal Vinyl (Thick Profile) between the Curb, Header and Glass without stretching, both inside and out. Cut square covering the full width of the Panel opening. Push the Vertical Vinyl (Thin Profile) between the Wall Jamb, 180 Post and Glass without stretching, both inside and out.

11. Attach the Drip Rail to the inside of the Bottom Door Rail by peeling off the protective paper from the adhesive. Set bottom edge of Tapered Sweep on top of ZSS1102 (snap-in) or curb, line up the Drip Rail 1/2" – 5/8" in from the Strike edge of the door and press it onto ZD2002 bottom door rail. This insures perfect adjustment for sweep. Secure using a 1/8" drill bit and 3 - #6 X 1/4" Phil Pan Head Screws (glass penetrates into rail approximately 3/8").

NOTE:

Sweep is tapered to create the necessary slope in the trough for water to drain into the shower, away from drip plug (outside edge of glass)

Important – When cutting your ZD2008 to fit your custom size door – **ALWAYS** cut the end of the ZD2008 at the **WIDER** end of the sweep.

12. Run a bead of caulking on the inside along the metal edges at the Walls and Curb. Outside caulking is optional.

Handle Attachment

13. Attach the Magnetic Handle (AZD-4011) to the door glass by placing the Handle Gasket (ZV-9163 for 1/4" glass or ZV-9173 for 3/16" glass) over the edge of the glass and pounding the handle onto the glass over the gasket. Making sure that the magnet plate is to the inside.

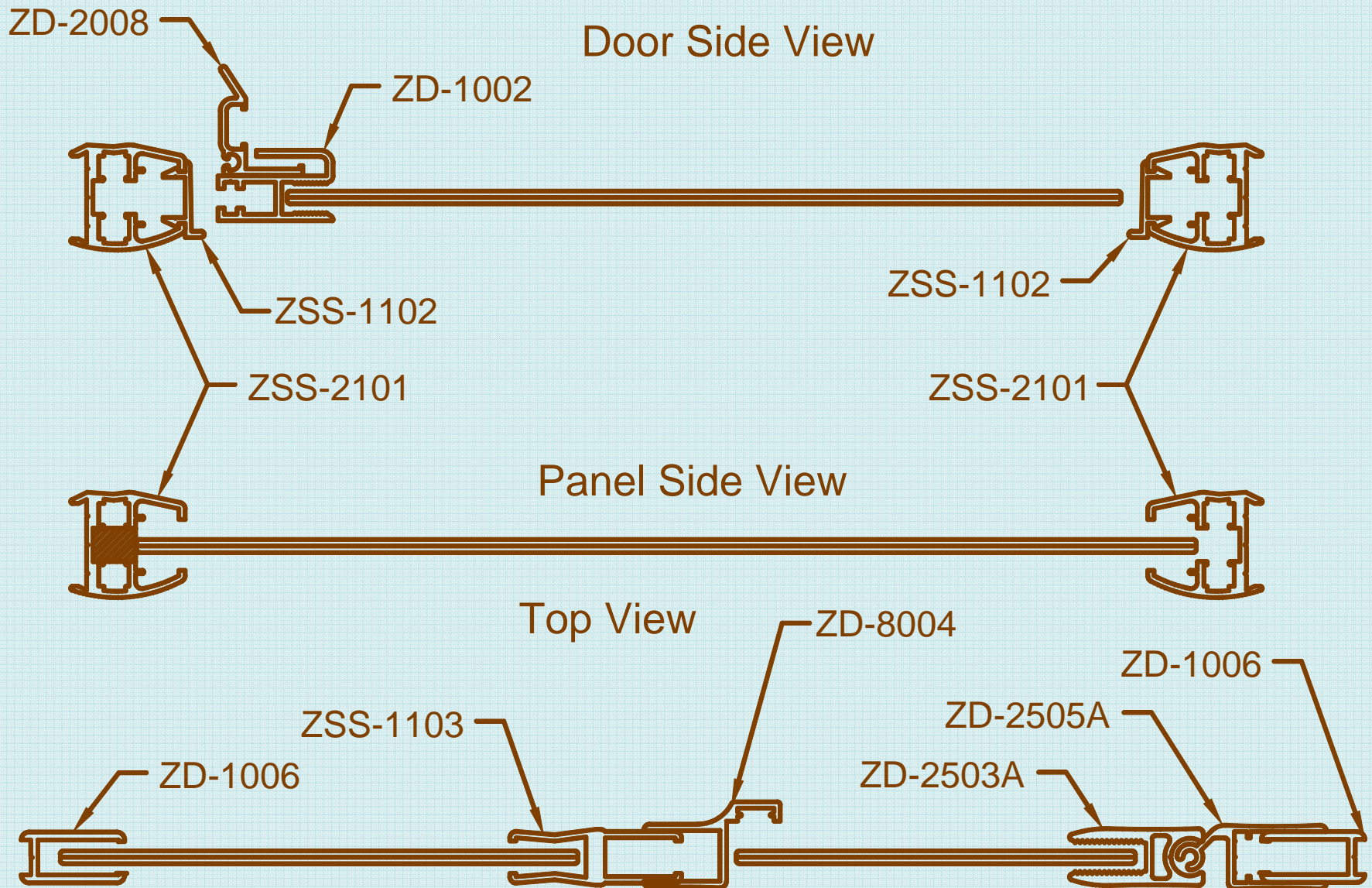
ARIZONA
800-255-1901

COLORADO
866-574-1766

ILLINOIS
800-861-6120

NEVADA
866-800-2011

OREGON
866-773-7905



ARIZONA
800-255-1901

COLORADO
866-574-1766

ILLINOIS
800-861-6120

NEVADA
866-800-2011

OREGON
866-773-7905

